

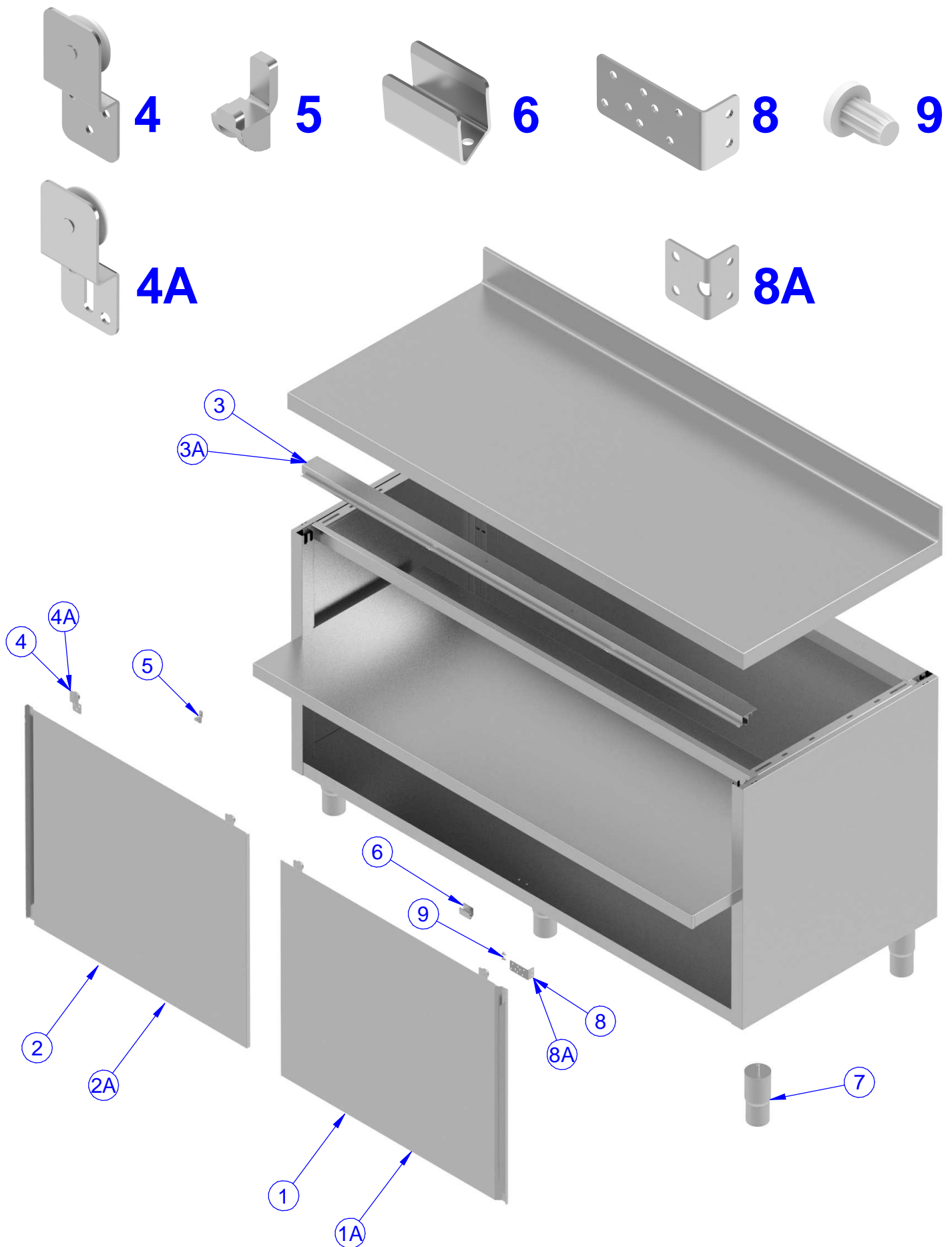
TAVOLO ARMADIO CON ALZATINA E 2 PORTE SCORREVOLI
WORKTOP CUPBOARDS WITH UPSTAND AND 2 SLIDING DOORS

PNC	MODEL	L = mm	H = mm	REF	PNC	MODEL	L = mm	H = mm	REF
132776	MTN1010PN	1000	900	a	132862	MS1017N	1000	900	g
132777	MTN1210PN	1200	900	b	132863	MS1217N	1200	900	h
132778	MTN1410PN	1400	900	c	132864	MS1417N	1400	900	i
132779	MTN1610PN	1600	900	d	132865	MS1617N	1600	900	j
132780	MTN1810PN	1800	900	e	132866	MS1817N	1800	900	k
132781	MTN2000PN	2000	900	f	132867	MS2017N	2000	900	l

Pag.	Descrizione	Description
1	Indice	Index
2	Disegni	Drawings
3-4	Lista ricambi	Spare parts list

Brand / Marchio: STD - EB

TAVOLO ARMADIO CON ALZATINA E 2 PORTE SCORREVOLI
WORKTOP CUPBOARDS WITH UPSTAND AND 2 SLIDING DOORS



TAVOLO ARMADIO CON ALZATINA E 2 PORTE SCORREVOLI WORKTOP CUPBOARDS WITH UPSTAND AND 2 SLIDING DOORS

POS	(x) Valido dal Seriale 908xxx To be used from S/N 908xxx	COD	DESCRIZIONE	DESCRIPTION	Alias code	NOTES/REF.
1		OPEA41	Porta scorrevole destra 1000	Right sliding door 1000	21400A041	a
1A	x				2140AA041	
1		OPE995	Porta scorrevole destra 1200	Right sliding door 1200	21400A046	b
1A	x				2140AA046	
1		OPE981	Porta scorrevole destra 1400	Right sliding door 1400	21400A024	c
1A	x				2140AA024	
1		OPEB04	Porta scorrevole destra 1600	Right sliding door 1600	21400A006	d
1A	x				2140AA006	
1		OPEA47	Porta scorrevole destra 1800	Right sliding door 1800	21400A048	e
1A	x				2140AA048	
1		OPEB05	Porta scorrevole destra 2000	Right sliding door 2000	21400A056	f
1A	x				2140AA056	
1		OPE976	Porta scorrevole destra 1000 EB	Right sliding door 1000 EB	21400A086	g
1A	x				2140AA086	
1		OPE977	Porta scorrevole destra 1200 EB	Right sliding door 1200 EB	21400A088	h
1A	x				2140AA088	
1		OPE978	Porta scorrevole destra 1400 EB	Right sliding door 1400 EB	21400A094	i
1A	x				2140AA094	
1		OPE979	Porta scorrevole destra 1600 EB	Right sliding door 1600 EB	21400A077	j
1A	x				2140AA077	
1		OPE980	Porta scorrevole destra 1800 EB	Right sliding door 1800 EB	21400A091	k
1A	x				2140AA091	
1		OPE982	Porta scorrevole destra 2000 EB	Right sliding door 2000 EB	21400A093	l
1A	x				2140AA093	
2		OPEA42	Porta scorrevole sinistra 1000	Left sliding door 1000	21400A042	a
2A	x				2140AA042	
2		OPE996	Porta scorrevole sinistra 1200	Left sliding door 1200	21400A045	b
2A	x				2140AA045	
2		OPEB06	Porta scorrevole sinistra 1400	Left sliding door 1400	21400A025	c
2A	x				2140AA025	
2		OPEB07	Porta scorrevole sinistra 1600	Left sliding door 1600	21400A007	d
2A	x				2140AA007	
2		OPEB08	Porta scorrevole sinistra 1800	Left sliding door 1800	21400A049	e
2A	x				2140AA049	
2		OPEB09	Porta scorrevole sinistra 2000	Left sliding door 2000	21400A057	f
2A	x				2140AA057	
2		OPE983	Porta scorrevole sinistra 1000 EB	Left sliding door 1000 EB	21400A087	g
2A	x				2140AA087	
2		OPE984	Porta scorrevole sinistra 1200 EB	Left sliding door 1200 EB	21400A089	h
2A	x				2140AA089	

TAVOLO ARMADIO CON ALZATINA E 2 PORTE SCORREVOLI WORKTOP CUPBOARDS WITH UPSTAND AND 2 SLIDING DOORS

POS	(x) Valido dal Seriale 908xxx To be used from S/N 908xxx	COD	DESCRIZIONE	DESCRIPTION	Alias code	NOTES/REF.
2		OPE985	Porta scorrevole sinistra 1400 EB	Left sliding door 1400 EB	21400A095	i
2A	x				2140AA095	
2		OPE986	Porta scorrevole sinistra 1600 EB	Left sliding door 1600 EB	21400A078	j
2A	x				2140AA078	
2		OPE987	Porta scorrevole sinistra 1800 EB	Left sliding door 1800 EB	21400A090	k
2A	x				2140AA090	
2		OPE988	Porta scorrevole sinistra 2000 EB	Left sliding door 2000 EB	21400A092	l
2A	x				2140AA092	
3		OPEA86	Guida Porte Scorrevoli 1000	Guida Porte Scorrevoli 1000	21400A040	a,g
3A	x				2140AA040	
3		OPEA87	Guida Porte Scorrevoli 1200	Guida Porte Scorrevoli 1200	21400A047	b,h
3A	x				2140AA047	
3		OPEA88	Guida Porte Scorrevoli 1400	Guida Porte Scorrevoli 1400	21400A023	c,i
3A	x				2140AA023	
3		OPEA89	Guida Porte Scorrevoli 1600	Guida Porte Scorrevoli 1600	21400A005	d,j
3A	x				2140AA005	
3		OPEA90	Guida Porte Scorrevoli 1800	Guida Porte Scorrevoli 1800	21400A051	e,k
3A	x				2140AA051	
3		OPEA91	Guida Porte Scorrevoli 2000	Guida Porte Scorrevoli 2000	21400A055	f,l
3A	x				2140AA055	
4		OPEA43	Carrello Porta scorrevole	Carrello Porta scorrevole	21400A008	a,b,c,d,e,f,g,h,i,j,k,l
4A	x				2140AA008	
5		OPEA44	Supporto Ripiano	Supporto Ripiano	254000231	a,b,c,d,e,f,g,h,i,j,k,l
6		OPEA45	Pattino porte scorrevoli	Pattino porte scorrevoli	20400A021	a,b,c,d,e,f,g,h,i,j,k,l
7		OPEA92	Piede regolabile	Piede regolabile	254000203	a,b,c,d,e,f,g,h,i,j,k,l
8		OPEA46	Freno Porta scorrevole	Freno Porta scorrevole	20400A018	a,b,c,d,e,f,g,h,i,j,k,l
8A	x				2040AA018	
9		OPEA51	Batti Porta Ø4	Batti Porta Ø4	254000208	a,b,c,d,e,f,g,h,i,j,k,l